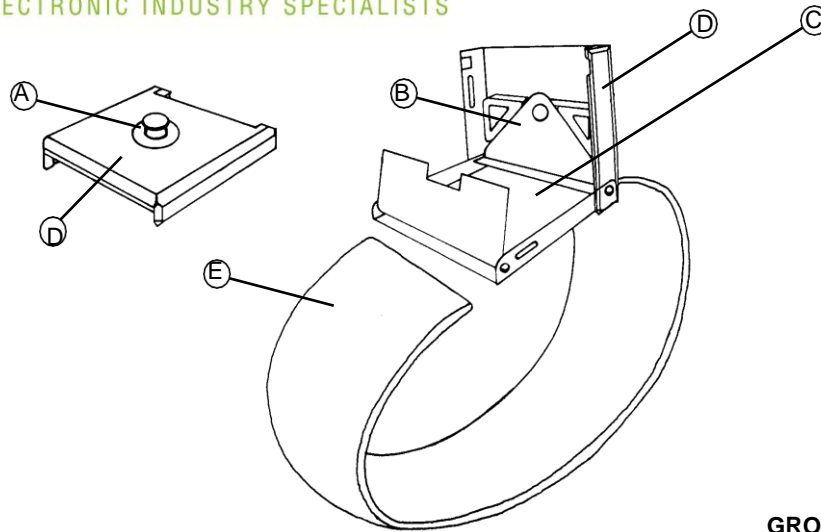




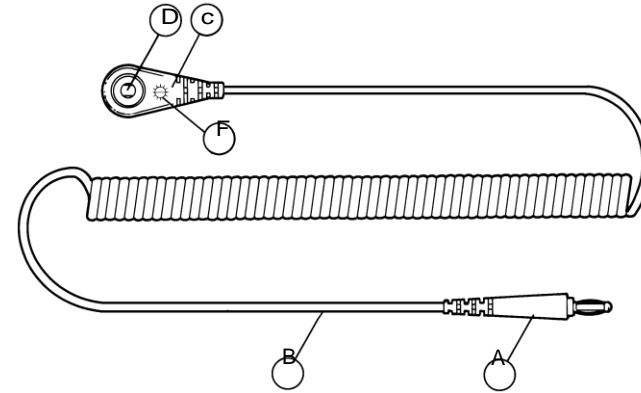
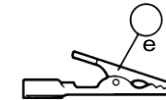
**Baskiville**  
ELECTRONIC INDUSTRY SPECIALISTS



**WRIST STRAP:**

- A. 4mm stud, to fit 4mm spring loaded medical snap socket.
- B. easy to open plastic clasp secures elastic material in place, and allows the user to easily adjust the wrist band size. Maintains electrical continuity even when open.
- c. non-allergenic stainless steel base plate, provides excellent skin contact, for superior grounding.
- D. Insulating cap, thermoplastic.
- e. soft elastic band.

ITEM	DESCRIPTION
09035	Band only
09037	cord only, 6'
09039	Band with 6' coil cord and Alligator clip
09040	cord only, 10'



**GROUND CORD:**

- A. Barrel type banana plug. Fits industry standard banana jack .166 in. (4.22mm).
- B. Metallized, high flex tinsel, black jacket.
- c. one megohm, 1/4 watt, series resistor, molded within snap assembly, limits current for operator safety.
- D. spring loaded 4mm snap socket.
- e. Alligator clip included in kit only. It is available separately as item 09700.
- F. Date coded with date of manufacture.

\*the color of the band material may vary.\*

**WRIST STRAP KIT, ELASTIC, ADJUSTABLE, ECONOMY**

**DESCO**

DESCO WEST: 3651 WALNUT AVE., CHINO, CA 91710 WEB SITE: [Desco.com](http://Desco.com)  
PHONE (909) 627-8178 FAX (909) 627-7449 FAX REQUEST (909) 627-7126  
DESCO EAST: ONE COLGATE WAY, CANTON, MA 02021-1407  
PHONE (781) 821-8370 FAX (781) 575-0172

**DRAWING NUMBER**  
09039

**DATE:**  
February  
2010