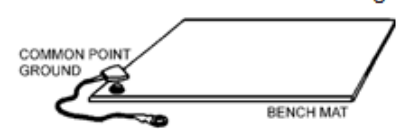



**Meets ANSI/ESD S20.20 and Grounding standard ANSI/ESD S6.1**

- A. 10mm (.395") snap socket to ground work
- B. Molded in a black thermoplastic elastomer.
- C. Ring terminal, .200" ID, (#10)
- D. Extra ring terminal included for customizing length
- E. The 09821 has a 1 megohm resistor between the snap and the ground with banana jacks at ground potential. The 09820 has no resistor between snap and ground, with banana jacks also at ground potential.
- F. Wire is auto splice crimped to secure it inside of the mold.
- G. High flex strand copper, 20 gauge, with insulated jacket  
09821 – black insulation 09820 - green insulation with yellow stripe OD = .100"
- H. Dual banana jacks at ground (.162"-.164" + or - .002" ID).
- I. Desco and ground symbol molded into plastic
- J. Date coded the show month and year of manufacture. Arrow points to month of manufacture (12:00 = December), numerals indicate the year (03 = 2003).

Work surface and two Wrist straps can connect to common ground point






Made in the United States of America

Specifications and procedures subject to change without notice.

**GROUND CORD, COMMON POINT, WORKSURFACE**



DESCO WEST: 3651 WALNUT AVE., CHINO, CA 91710 WEB SITE: [Desco.com](http://Desco.com)  
PHONE (909) 627-6178 FAX (909) 627-7449

DESCO EAST: ONE COLGATE WAY, CANTON, MA 02021-1407  
PHONE (781) 821-8370 FAX (781) 575-0172

**DRAWING NUMBER**  
**R 09820**

**DATE:**  
February

©2016 DESCO INDUSTRIES INC.  
Employee Owned