

ACCESSORIES

Auxiliary Arm Series



KP-AUXA, KP-AUX1T

Auxiliary Arm

KP-AUXA, KP-AUX1T

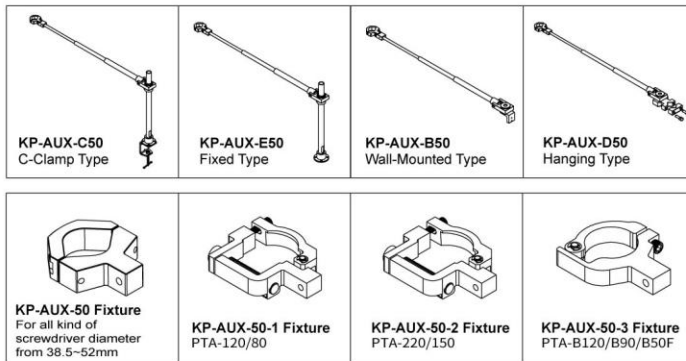
- Provide with the rocker arm, enable to revolve on 360 degrees.
- Main shaft can be extended to maximum 830mm
- Power arm inside includes nitrogen gas stick, allow user to grab the arm easily, automatic lift up to position after finishing the work.
- Easy to assemble and disassemble.
- Optional accessory KP-VA1, KP-VA2, KP-VAR (90 degree adapter) is available for user to adjust angle in accordance with the object to be fastened.



KP-VAR, KP-VA1

Model	KP-AUXA	KP-AUXA-1	KP-AUXA-2	KP-AUX1T-B	KP-AUXA-500
Description	Cantilevered	Cantilevered	Cantilevered	Cantilevered	Cantilevered
Reach	50mm~830mm	50mm~830mm	50mm~830mm	50mm~830mm	50mm~830mm
Gas Stick	25kg	30kg	25kg	25kg	35kg
Applicable Models	SKD-RBK Series <small>Not included RBK250L/PF - 350 - 500 Series</small>	SKD-RBK Series	SKD-BK900 Series	SKD-BN800 Series SKD-BE800 Series	SKD-RBK250L/PF Series SKD-RBK350 Series SKD-RBK500 Series
Remark	—	KP-VAR Optional Accessories	—	KP-VA1 Optional Accessories	KP-VA2 Optional Accessories

※The auxiliary arm can be used only with Kilews electric screwdrivers.



Specifications

Model No.	Max torque (Nm)	A(mini/maxi) cm	Tool Ø diameter(mm)
KP-AUX-C50-1000	50	43~100	38.5~52
KP-AUX-C50-1200	50	50~120	38.5~52
KP-AUX-E50-1000	50	43~100	38.5~52
KP-AUX-E50-1200	50	50~120	38.5~52
KP-AUX-B50-1000	50	43~100	38.5~52
KP-AUX-B50-1200	50	50~120	38.5~52
KP-AUX-D50-1000	50	43~100	38.5~52
KP-AUX-D50-1200	50	50~120	38.5~52

※Please inform which screwdriver series will be with the auxiliary arm before releasing order.

